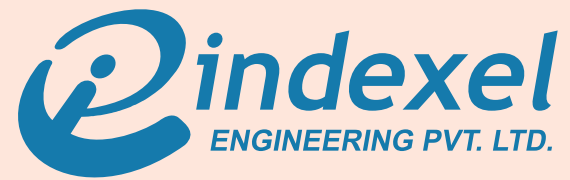


Smart Kiln Positioning System



Smart Kiln Positioning System is a measuring instrument to measure shift of the revolving kiln from a fixed position. The longitudinal measurement is done by non-contact sensor technology.

SKP System consist of three parts

- 1) Autonomous non-contact type sensor mounted in compact stainless steel water-cooled housing, IP66 with 4-20 mA output for continuous and real time monitoring.
- 2) Water flow control unit consist of SS valves, flow switch / flow controller, strainer and SS fittings to control water flow in sensor cooling housing.
- 3) Mounting pedestal with height adjustment facility of sensor and horizontal adjustment of the limits.

Technical Data

General Specifications

| | |
|-------------------|--------------------|
| Sensing Type | : Non-Contact Type |
| Calibration Range | : -50 to +50 mm |

Electrical Specifications

| | |
|-------------------|-----------------------|
| Power Supply | : 110/230 VAC & 24VDC |
| Power Consumption | : < 40 W |

Outputs

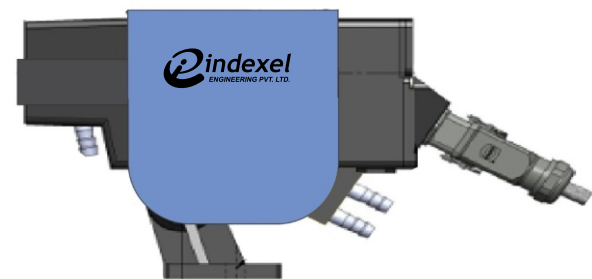
| | |
|-----------------|---|
| Analogue output | : 4 to 20 mA |
| Switch output | : 1 NO/NC for Flow 1 NO/NC for E. Stop |

Mechanical Specifications

| | |
|-------------------|--|
| Protection Degree | : Sensor Head: IP66 Controller Unit: IP52 |
| Housing Material | : Stainless Steel 304 |



SKP-1

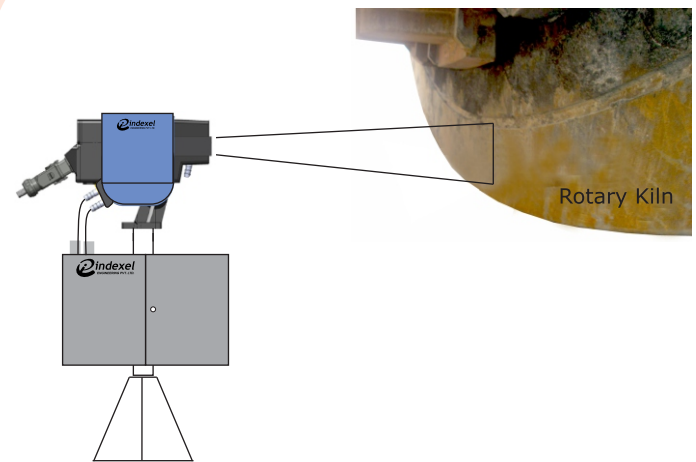


SKP-2

- High Temperature (ambient upto 200 °C)
- Contactless Measurement
- Adjustable Mounting
- Water Cooled
- Emergency Stop Switch
- Analog Output (4-20 mA)
- Calibration Range: -50 to +50 mm
- User Friendly
- Calibration through software

Ordering Code

| Model | Type |
|------------------------|---|
| SKP-1 | Ultrasonic Accuracy $\pm 4\text{mm}$ |
| SKP-2 | Laser With Display Accuracy $\pm 1\text{mm}$ |
| Ambient Temp. | |
| A | Upto 120 °C |
| B | Upto 200 °C |
| Aux. Supply | |
| 1 | 110 VAC |
| 2 | 230 VAC |
| 3 | 24 VDC |
| Mounting Kit | |
| 1 | Pedestal |
| 2 | Without |
| Flow Monitoring | |
| 1 | Flow Switch |
| 2 | Flow Monitor |



Emergency Stop Unit

Sample Order Code : SKP-2/B/2/1/1